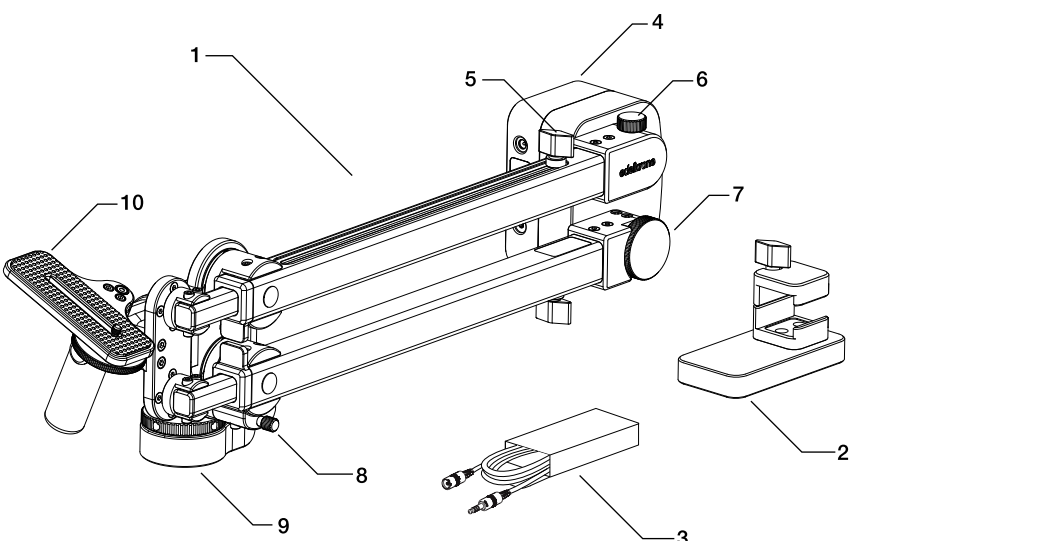


## TABLE OF CONTENTS

1. WHAT'S IN THE BOX & THE BASICS
2. MOUNTING ONTO TRIPOD
3. MOUNTING THE BATTERY BRACKET
4. ATTACHING THE COUNTERWEIGHT
5. PULLING OUT THE EXTENSIONS
6. ADJUSTING OPERATION ANGLE
7. ATTACHING THE CAMERA
8. BALANCE ADJUSTMENT & SAFETY LOCK
9. EXTENSION LENGTH INDICATORS
10. COUNTERWEIGHTS
11. TENSION ADJUSTMENT
12. TURNING ON JIBONE
13. IN CASE THE KNOBS STUCK
14. WARNINGS
15. START USING

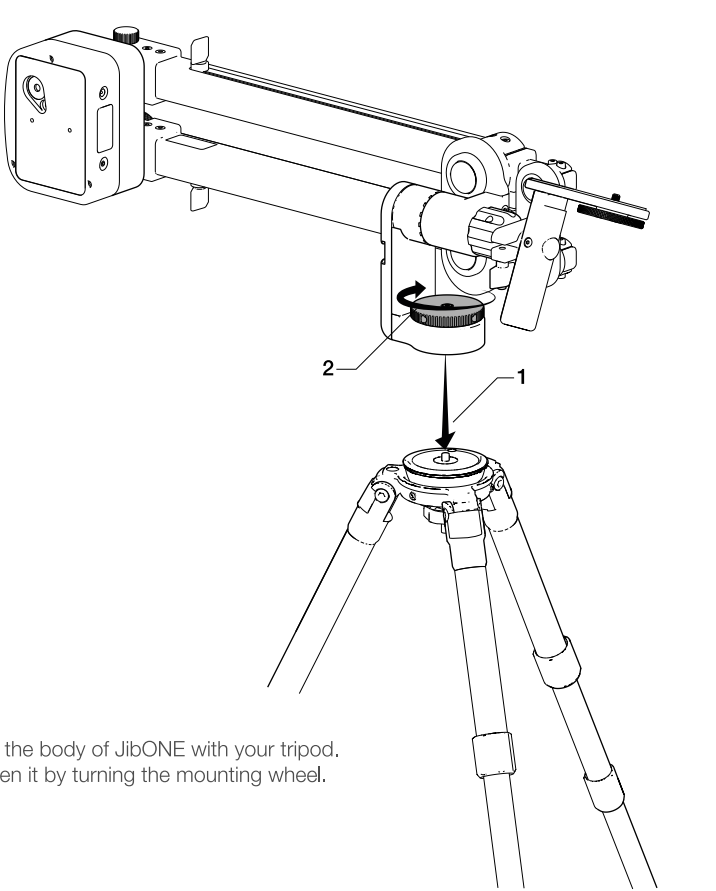
### 1. WHAT'S IN THE BOX & THE BASICS



1. JibONE
2. Counterweight (1 kg/2.2 lbs)
3. Shutter Trigger Extension Cable
4. Motor Unit (with DC in, Shutter Trigger Port, Battery Bracket Port)
5. JibONE length extension screws
6. Damping Knob
7. Tension Adjustment
8. Safety Lock
9. Body (3/8" tripod mounting port, 1/4" accessory port, Hot Shoe & Angle Adjustment Knob)
10. Camera Plate (with 3/8" mounting screw and spirit level)

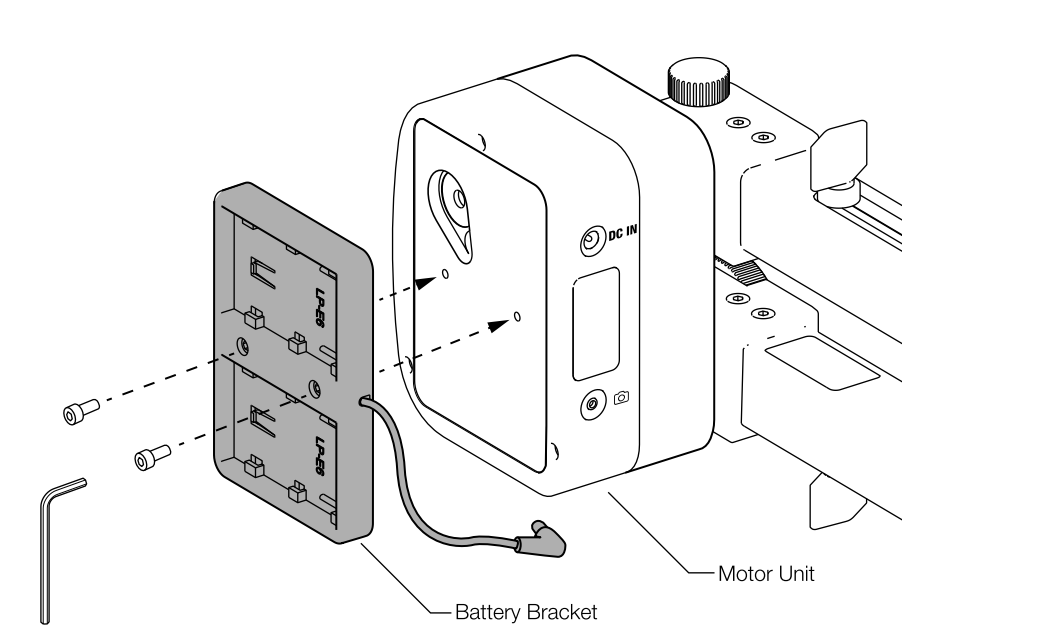
\*Battery Bracket sold separately.

### 2. MOUNTING ONTO TRIPOD



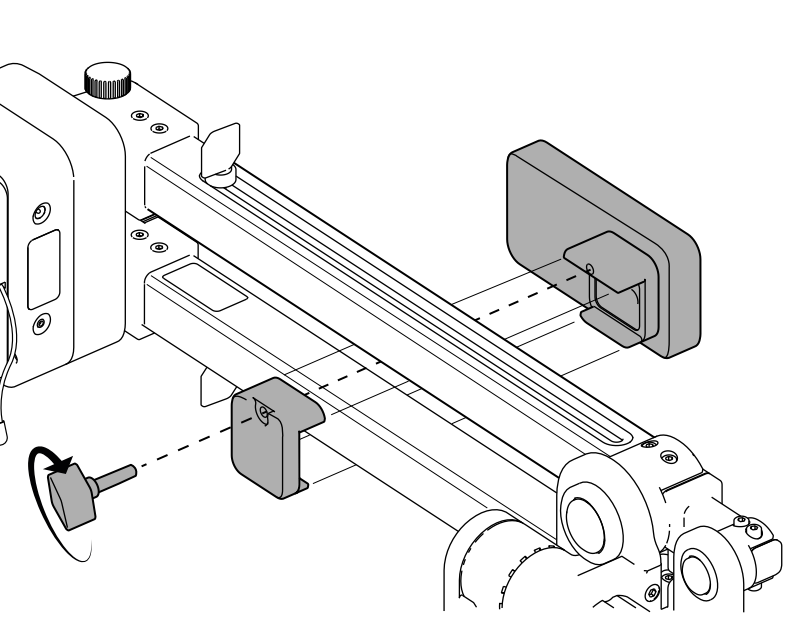
1. Align the body of JibONE with your tripod.
2. Tighten it by turning the mounting wheel.

### 3. MOUNTING THE BATTERY BRACKET



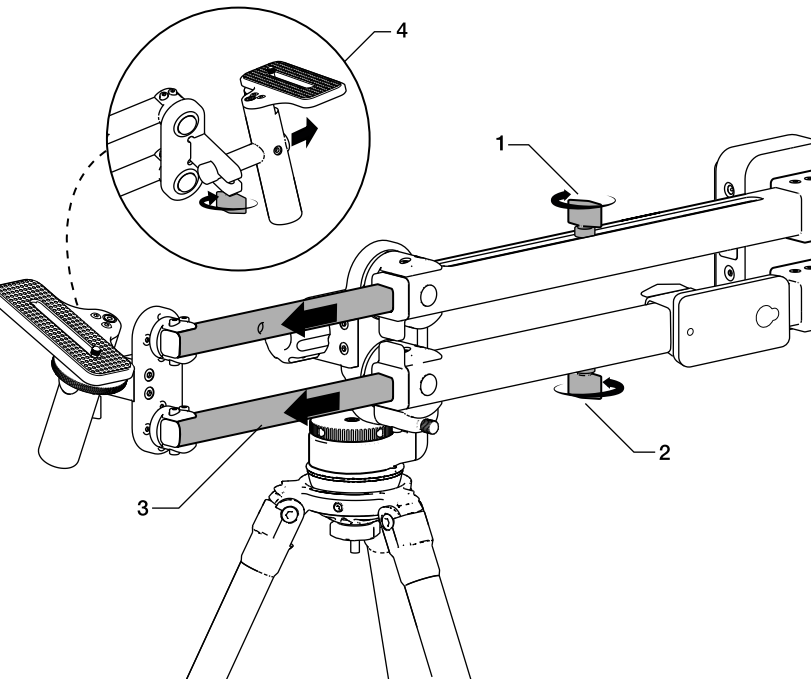
Attach the Battery Bracket to Motor Unit with the screws included in the Battery Bracket's box.

### 4. ATTACHING THE COUNTERWEIGHT



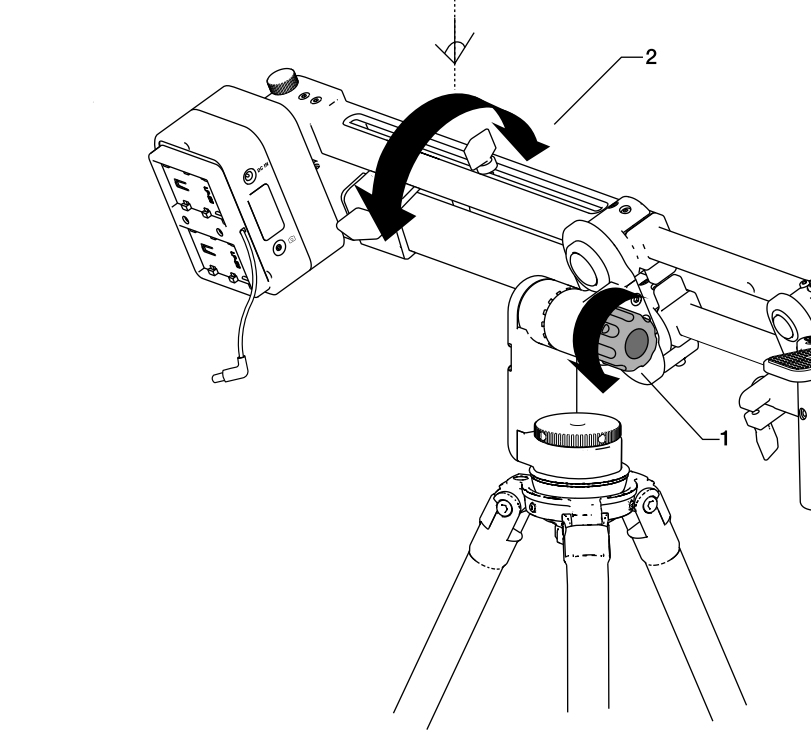
Align the Counterweight parts as shown above, then attach them on JibONE by fastening the screw clockwise.

### 5. PULLING OUT THE EXTENSIONS



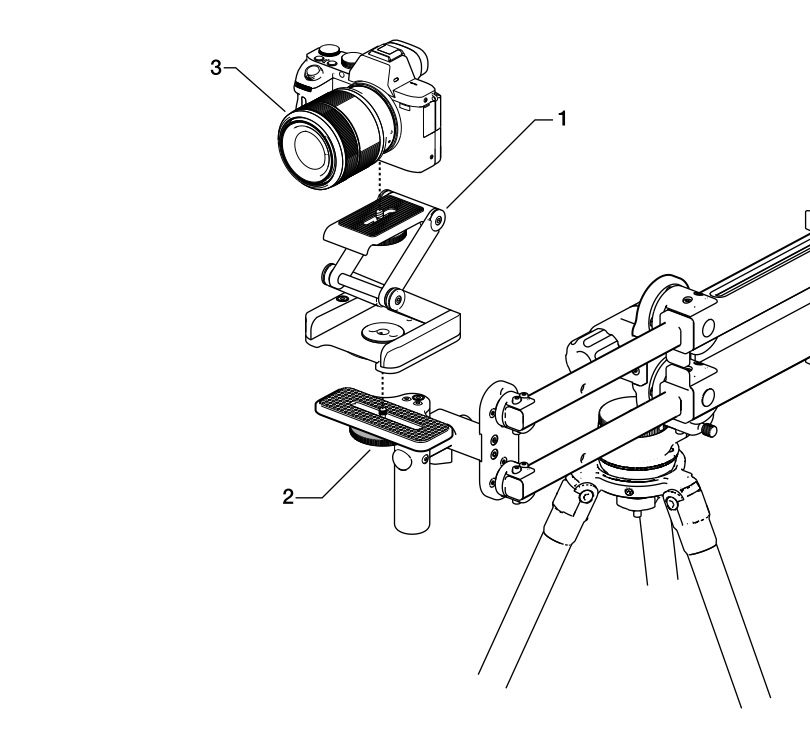
1. Loosen the screw by turning clockwise.
2. Loosen the screw by turning counterclockwise.
3. Pull out the extensions.
4. Extend the camera plate by loosening the screw.
5. Tighten all the screws.

### 6. ADJUSTING OPERATION ANGLE



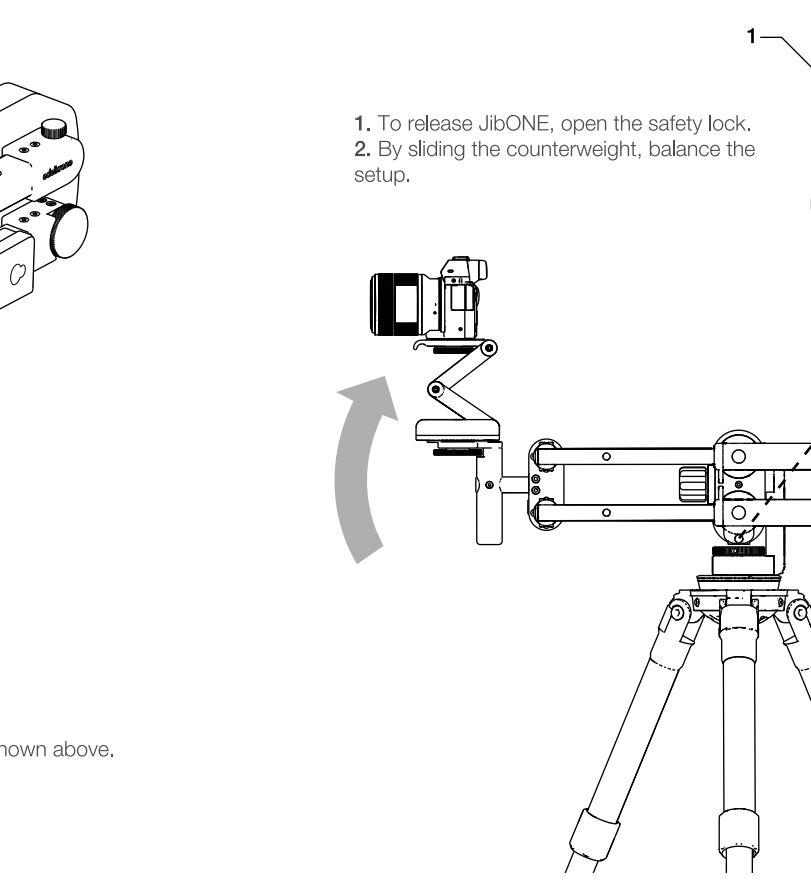
1. Loosen the angle adjustment knob by turning counterclockwise.
2. Adjust your operation angle, JibONE has 5 different operation angle.
3. Tighten the angle adjustment knob back.

### 7. ATTACHING THE CAMERA



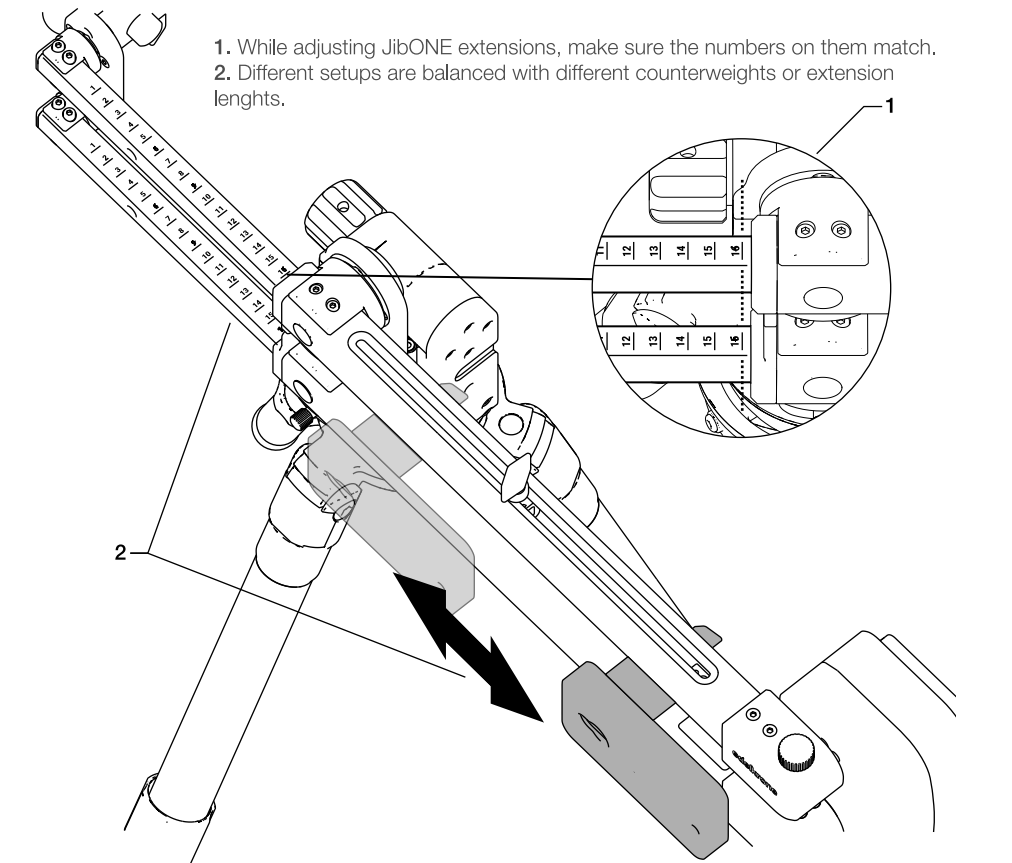
1. Align your FlexTILT Head or any tripod head with the camera plate as shown above.
2. Tighten the mounting wheel.
3. Attach your camera to your FlexTILT Head or any tripod head.

### 8. BALANCE ADJUSTMENT & SAFETY LOCK

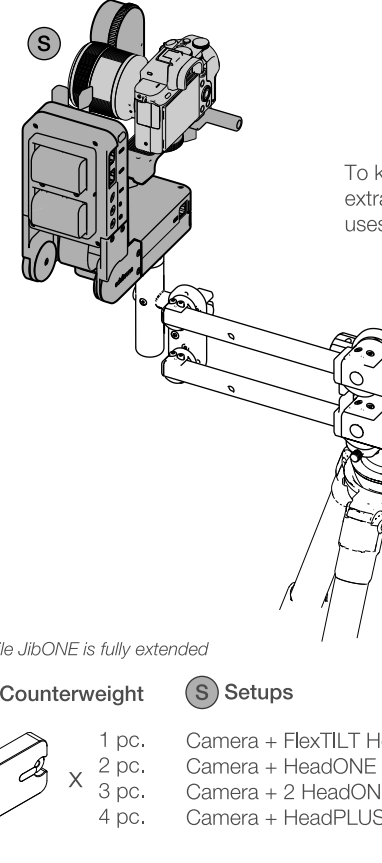


1. To release JibONE, open the safety lock.
2. By sliding the counterweight, balance the setup.

## 9. EXTENSION LENGTH INDICATORS



1. While adjusting JibONE extensions, make sure the numbers on them match.
2. Different setups are balanced with different counterweights or extension lengths.



1. Counterweight
2. Counterweight
3. Counterweight
4. Counterweight

1. Camera + FlexTILT Head or any tripod head (1.5-2.4 kg)
2. Camera + HeadONE + FlexTILT Head or any tripod head (2.2-3.4 kg)
3. Camera + 2 HeadONEs + Tilt Kit v2 (2.6-4.2 kg)
4. Camera + HeadPLUS Full Setup (2.9-5 kg)

1. Camera + FlexTILT Head or any tripod head (1.5-2.4 kg)
2. Camera + HeadONE + FlexTILT Head or any tripod head (2.2-3.4 kg)
3. Camera + 2 HeadONEs + Tilt Kit v2 (2.6-4.2 kg)
4. Camera + HeadPLUS Full Setup (2.9-5 kg)

1. Camera + FlexTILT Head or any tripod head (1.5-2.4 kg)
2. Camera + HeadONE + FlexTILT Head or any tripod head (2.2-3.4 kg)
3. Camera + 2 HeadONEs + Tilt Kit v2 (2.6-4.2 kg)
4. Camera + HeadPLUS Full Setup (2.9-5 kg)

1. Camera + FlexTILT Head or any tripod head (1.5-2.4 kg)
2. Camera + HeadONE + FlexTILT Head or any tripod head (2.2-3.4 kg)
3. Camera + 2 HeadONEs + Tilt Kit v2 (2.6-4.2 kg)
4. Camera + HeadPLUS Full Setup (2.9-5 kg)

1. Camera + FlexTILT Head or any tripod head (1.5-2.4 kg)
2. Camera + HeadONE + FlexTILT Head or any tripod head (2.2-3.4 kg)
3. Camera + 2 HeadONEs + Tilt Kit v2 (2.6-4.2 kg)
4. Camera + HeadPLUS Full Setup (2.9-5 kg)

1. Camera + FlexTILT Head or any tripod head (1.5-2.4 kg)
2. Camera + HeadONE + FlexTILT Head or any tripod head (2.2-3.4 kg)
3. Camera + 2 HeadONEs + Tilt Kit v2 (2.6-4.2 kg)
4. Camera + HeadPLUS Full Setup (2.9-5 kg)

1. Camera + FlexTILT Head or any tripod head (1.5-2.4 kg)
2. Camera + HeadONE + FlexTILT Head or any tripod head (2.2-3.4 kg)
3. Camera + 2 HeadONEs + Tilt Kit v2 (2.6-4.2 kg)
4. Camera + HeadPLUS Full Setup (2.9-5 kg)

1. Camera + FlexTILT Head or any tripod head (1.5-2.4 kg)
2. Camera + HeadONE + FlexTILT Head or any tripod head (2.2-3.4 kg)
3. Camera + 2 HeadONEs + Tilt Kit v2 (2.6-4.2 kg)
4. Camera + HeadPLUS Full Setup (2.9-5 kg)

1. Camera + FlexTILT Head or any tripod head (1.5-2.4 kg)
2. Camera + HeadONE + FlexTILT Head or any tripod head (2.2-3.4 kg)
3. Camera + 2 HeadONEs + Tilt Kit v2 (2.6-4.2 kg)
4. Camera + HeadPLUS Full Setup (2.9-5 kg)

1. Camera + FlexTILT Head or any tripod head (1.5-2.4 kg)
2. Camera + HeadONE + FlexTILT Head or any tripod head (2.2-3.4 kg)
3. Camera + 2 HeadONEs + Tilt Kit v2 (2.6-4.2 kg)
4. Camera + HeadPLUS Full Setup (2.9-5 kg)

1. Camera + FlexTILT Head or any tripod head (1.5-2.4 kg)
2. Camera + HeadONE + FlexTILT Head or any tripod head (2.2-3.4 kg)
3. Camera + 2 HeadONEs + Tilt Kit v2 (2.6-4.2 kg)
4. Camera + HeadPLUS Full Setup (2.9-5 kg)

1. Camera + FlexTILT Head or any tripod head (1.5-2.4 kg)
2. Camera + HeadONE + FlexTILT Head or any tripod head (2.2-3.4 kg)
3. Camera + 2 HeadONEs + Tilt Kit v2 (2.6-4.2 kg)
4. Camera + HeadPLUS Full Setup (2.9-5 kg)

1. Camera + FlexTILT Head or any tripod head (1.5-2.4 kg)
2. Camera + HeadONE + FlexTILT Head or any tripod head (2.2-3.4 kg)
3. Camera + 2 HeadONEs + Tilt Kit v2 (2.6-4.2 kg)
4. Camera + HeadPLUS Full Setup (2.9-5 kg)

1. Camera + FlexTILT Head or any tripod head (1.5-2.4 kg)
2. Camera + HeadONE + FlexTILT Head or any tripod head (2.2-3.4 kg)
3. Camera + 2 HeadONEs + Tilt Kit v2 (2.6-4.2 kg)
4. Camera + HeadPLUS Full Setup (2.9-5 kg)

1. Camera + FlexTILT Head or any tripod head (1.5-2.4 kg)
2. Camera + HeadONE + FlexTILT Head or any tripod head (2.2-3.4 kg)
3. Camera + 2 HeadONEs + Tilt Kit v2 (2.6-4.2 kg)
4. Camera + HeadPLUS Full Setup (2.9-5 kg)

1. Camera + FlexTILT Head or any tripod head (1.5-2.4 kg)
2. Camera + HeadONE + FlexTILT Head or any tripod head (2.2-3.4 kg)
3. Camera + 2 HeadONEs + Tilt Kit v2 (2.6-4.2 kg)
4. Camera + HeadPLUS Full Setup (2.9-5 kg)

1. Camera + FlexTILT Head or any tripod head (1.5-2.4 kg)
2. Camera + HeadONE + FlexTILT Head or any tripod head (2.2-3.4 kg)
3. Camera + 2 HeadONEs + Tilt Kit v2 (2.6-4.2 kg)
4. Camera + HeadPLUS Full Setup (2.9-5 kg)

1. Camera + FlexTILT Head or any tripod head (1.5-2.4 kg)
2. Camera + HeadONE + FlexTILT Head or any tripod head (2.2-3.4 kg)
3. Camera + 2 HeadONEs + Tilt Kit v2 (2.6-4.2 kg)
4. Camera + HeadPLUS Full Setup (2.9-5 kg)

1. Camera + FlexTILT Head or any tripod head (1.5-2.4 kg)
2. Camera + HeadONE + FlexTILT Head or any tripod head (2.2-3.4 kg)
3. Camera + 2 HeadONEs + Tilt Kit v2 (2.6-4.2 kg)
4. Camera + HeadPLUS Full Setup (2.9-5 kg)

1. Camera + FlexTILT Head or any tripod head (1.5-2.4 kg)
2. Camera + HeadONE + FlexTILT Head or any tripod head (2.2-3.4 kg)
3. Camera + 2 HeadONEs + Tilt Kit v2 (2.6-4.2 kg)
4. Camera + HeadPLUS Full Setup (2.9-5 kg)

1. Camera + FlexTILT Head or any tripod head (1.5-2.4 kg)
2. Camera + HeadONE + FlexTILT Head or any tripod head (2.2-3.4 kg)
3. Camera + 2 HeadONEs + Tilt Kit v2 (2.6-4.2 kg)
4. Camera + HeadPLUS Full Setup (2.9-5 kg)

1. Camera + FlexTILT Head or any tripod head (1.5-2.4 kg)
2. Camera + HeadONE + FlexTILT Head or any tripod head (2.2-3.4 kg)
3. Camera + 2 HeadONEs + Tilt Kit v2 (2.6-4.2 kg)
4. Camera + HeadPLUS Full Setup (2.9-5 kg)

1. Camera + FlexTILT Head or any tripod head (1.5-2.4 kg)
2. Camera + HeadONE + FlexTILT Head or any tripod head (2.2-3.4 kg)
3. Camera + 2 HeadONEs + Tilt Kit v2 (2.6-4.2 kg)
4. Camera + HeadPLUS Full Setup (2.9-5 kg)

1. Camera + FlexTILT Head or any tripod head (1.5-2.4 kg)
2. Camera + HeadONE + FlexTILT Head or any tripod head (2.2-3.4 kg)
3. Camera + 2 HeadONEs + Tilt Kit v2 (2.6-4.2 kg)
4. Camera + HeadPLUS Full Setup (2.9-5 kg)

1. Camera + FlexTILT Head or any tripod head (1.5-2.4 kg)
2. Camera + HeadONE + FlexTILT Head or any tripod head (2.2-3.4 kg)
3. Camera + 2 HeadONEs + Tilt Kit v2 (2.6-4.2 kg)
4. Camera + HeadPLUS Full Setup (2.9-5 kg)

1. Camera + FlexTILT Head or any tripod head (1.5-2.4 kg)
2. Camera + HeadONE + FlexTILT Head or any tripod head (2.2-3.4 kg)
3. Camera + 2 HeadONEs + Tilt Kit v2 (2.6-4.2 kg)
4. Camera + HeadPLUS Full Setup (2.9-5 kg)

1. Camera + FlexTILT Head or any tripod head (1.5-2.4 kg)
2. Camera + HeadONE + FlexTILT Head or any tripod head (2.2-3.4 kg)
3. Camera + 2 HeadONEs + Tilt Kit v2 (2.6-4.2 kg)
4. Camera + HeadPLUS Full Setup (2.9-5 kg)

1. Camera + FlexTILT Head or any tripod head (1.5-2.4 kg)
2. Camera + HeadONE + FlexTILT Head or any tripod head (2.2-3.4 kg)
3. Camera + 2 HeadONEs + Tilt Kit v2 (2.6-4.2 kg)
4. Camera + HeadPLUS Full Setup (2.9-5 kg)

1. Camera + FlexTILT Head or any tripod head (1.5-2.4 kg)
2. Camera + HeadONE + FlexTILT Head or any tripod head (2.2-3.4 kg)
3. Camera + 2 HeadONEs + Tilt Kit v2 (2.6-4.2 kg)
4. Camera + HeadPLUS Full Setup (2.9-5 kg)

1. Camera + FlexTILT Head or any tripod head (1.5-2.4 kg)
2. Camera + HeadONE + FlexTILT Head or any tripod head (2.2-3.4 kg)
3. Camera + 2 HeadONEs + Tilt Kit v2 (2.6-4.2 kg)
4. Camera + HeadPLUS Full Setup (2.9-5 kg)

1. Camera + FlexTILT Head or any tripod head (1.5-2.4 kg)
2. Camera + HeadONE + FlexTILT Head or any tripod head (2.2-3.4 kg)
3. Camera + 2 HeadONEs + Tilt Kit v2 (2.6-4.2 kg)
4. Camera + HeadPLUS Full Setup (2.9-5 kg)

1. Camera + FlexTILT Head or any tripod head (1.5-2.4 kg)
2. Camera + HeadONE + FlexTILT Head or any tripod head (2.2-3.4 kg)
3. Camera + 2 HeadONEs + Tilt Kit v2 (2.6-4.2 kg)
4. Camera + HeadPLUS Full Setup (2.9-5 kg)

1. Camera + FlexTILT Head or any tripod head (1.5-2.4 kg)
2. Camera + HeadONE + FlexTILT Head or any tripod head (2.2-3.4 kg)
3. Camera + 2 HeadONEs + Tilt Kit v2 (2.6-4.2 kg)
4. Camera + HeadPLUS Full Setup (2.9-5 kg)

1. Camera + FlexTILT Head or any tripod head (1.5-2.4 kg)
2. Camera + HeadONE + FlexTILT Head or any tripod head (2.2-3.4 kg)
3. Camera + 2 HeadONEs + Tilt Kit v2 (2.6-4.2 kg)
4. Camera + HeadPLUS Full Setup (2.9-5 kg)

1. Camera + FlexTILT Head or any tripod head (1.5-2.4 kg)
2. Camera + HeadONE + FlexTILT Head or any tripod head (2.2-3.4 kg)
3. Camera + 2 HeadONEs + Tilt Kit v2 (2.6-4.2 kg)
4. Camera + HeadPLUS Full Setup (2.9-5 kg)

1. Camera + FlexTILT Head or any tripod head (1.5-2.4 kg)
2. Camera + HeadONE + FlexTILT Head or any tripod head (2.2-3.4 kg)
3. Camera + 2 HeadONEs + Tilt Kit v2 (2.6-4.2 kg)
4. Camera + HeadPLUS Full Setup (2.9-5 kg)

1. Camera + FlexTILT Head or any tripod head (1.5-2.4 kg)
2. Camera + HeadONE + FlexTILT Head or any tripod head (2.2-3.4 kg)
3. Camera + 2 HeadONEs + Tilt Kit v2 (2.6-4.2 kg)
4. Camera + HeadPLUS Full Setup (2.9-5 kg)

1. Camera + FlexTILT Head or any tripod head (1.5-2.4 kg)
2. Camera + HeadONE + FlexTILT Head or any tripod head (2.2-3.4 kg)
3. Camera + 2 HeadONEs + Tilt Kit v2 (2.6-4.2 kg)
4. Camera + HeadPLUS Full Setup (2.9-5 kg)

1. Camera + FlexTILT Head or any tripod head (1.5-2.4 kg)
2. Camera + HeadONE + FlexTILT Head or any tripod head (2.2-3.4 kg)
3. Camera + 2 HeadONEs + Tilt Kit v2 (2.6-4.2 kg)
4. Camera + HeadPLUS Full Setup (2.9-5 kg)

1. Camera + FlexTILT Head or any tripod head (1.5-2.4 kg)
2. Camera + HeadONE + FlexTILT Head or any tripod head (2.2-3.4 kg)
3. Camera + 2 HeadONEs + Tilt Kit v2 (2.6-4.2 kg)
4. Camera + HeadPLUS Full Setup (2.9-5 kg)

1. Camera + FlexTILT Head or any tripod head (1.5-2.4 kg)
2. Camera + HeadONE + FlexTILT Head or any tripod head (2.2-3.4 kg)
3. Camera + 2 HeadONEs + Tilt Kit v2 (2.6-4.2 kg)
4. Camera + HeadPLUS Full Setup (2.9-5 kg)

1. Camera + FlexTILT Head or any tripod head (1.5-2.4 kg)
2. Camera + HeadONE + FlexTILT Head or any tripod head (2.2-3.4 kg)
3. Camera + 2 HeadONEs + Tilt Kit v2 (2.6-4.2 kg)
4. Camera + HeadPLUS Full Setup (2.9-5 kg)

1. Camera + FlexTILT Head or any tripod head (1.5-2.4 kg)
2. Camera + HeadONE + FlexTILT Head or any tripod head (2.2-3.4 kg)
3. Camera + 2 HeadONEs + Tilt Kit v2 (2.6-4.2 kg)
4. Camera + HeadPLUS Full Setup (2.9-5 kg)

1. Camera + FlexTILT Head or any tripod head (1.5-2.4 kg)
2. Camera + HeadONE + FlexTILT Head or any tripod head (2.2-3.4 kg)
3. Camera + 2 HeadONEs + Tilt Kit v2 (2.6-4.2 kg)
4. Camera + HeadPLUS Full Setup (2.9-5 kg)

1. Camera + FlexTILT Head or any tripod head (1.5-2.4 kg)
2. Camera + HeadONE + FlexTILT Head or any tripod head (2.2-3.4 kg)
3. Camera + 2 HeadONEs + Tilt Kit v2 (2.6-4.2 kg)
4. Camera + HeadPLUS Full Setup (2.9-5 kg)

1. Camera + FlexTILT Head or any tripod head (1.5-2.4 kg)
2. Camera + HeadONE + FlexTILT Head or any tripod head (2.2-3.4 kg)
3. Camera + 2 HeadONEs + Tilt Kit v2 (2.6-4.2 kg)
4. Camera + HeadPLUS Full Setup (2.9-5 kg)

1. Camera + FlexTILT Head or any tripod head (1.5-2.4 kg)
2. Camera + HeadONE + FlexTILT Head or any tripod head (2.2-3.4 kg)
3. Camera + 2 HeadONEs + Tilt Kit v2 (2.6-4.2 kg)
4. Camera + HeadPLUS Full Setup (2.9-5 kg)

1. Camera + FlexTILT Head or any tripod head (1.5-2.4 kg)
2. Camera + HeadONE + FlexTILT Head or any tripod head (2.2-3.4 kg)
3. Camera + 2 HeadONEs + Tilt Kit v2 (2.6-4.2 kg)
4. Camera + HeadPLUS Full Setup (2.9-5 kg)

1. Camera + FlexTILT Head or any tripod head (1.5-2.4 kg)
2. Camera + HeadONE + FlexTILT Head or any tripod head (2.2-3.4 kg)
3. Camera + 2 HeadONEs + Tilt Kit v2 (2.6-4.2 kg)
4. Camera + HeadPLUS Full Setup (2.9-5 kg)

1. Camera + FlexTILT Head or any tripod head (1.5-2.4 kg)
2. Camera + HeadONE + FlexTILT Head or any tripod head (2.2-3.4 kg)
3. Camera + 2 HeadONEs + Tilt Kit v2 (2.6-4.2 kg)
4. Camera + HeadPLUS Full Setup (2.9-5 kg)

1. Camera + FlexTILT Head or any tripod head (1.5-2.4 kg)
2. Camera + HeadONE + FlexTILT Head or any tripod head (2.2-3.4 kg)
3. Camera + 2 HeadONEs + Tilt Kit v2 (2.6-4.2 kg)
4. Camera + HeadPLUS Full Setup (2.9-5 kg)

1. Camera + FlexTILT Head or any tripod head (1.5-2.4 kg)
2. Camera + HeadONE + FlexTILT Head or any tripod head (2.2-3.4 kg)
3. Camera + 2 HeadONEs + Tilt Kit v2 (2.6-4.2 kg)
4. Camera + HeadPLUS Full Setup (2.9-5 kg)

1. Camera + FlexTILT Head or any tripod head (1.5-2.4 kg)
2. Camera + HeadONE + FlexTILT Head or any tripod head (2.2-3.4 kg)
3. Camera + 2 HeadONEs + Tilt Kit v2 (2.6-4.2 kg)
4. Camera + HeadPLUS Full Setup (2.9-5 kg)

To keep your setup balanced, you might need extra counterweights. Suggested counterweight uses are indicated below;

**C** Counterweight

**S** Setups

1 pc. Camera + FlexTILT Head or any tripod head (1.5-2.4 kg)

2 pc. Camera + HeadONE + FlexTILT Head or any tripod head (2.2-3.4 kg)

3 pc. Camera + 2 HeadONEs + Tilt Kit v2 (2.6-4.2 kg)

4 pc. Camera + HeadPLUS Full Setup (2.9-5 kg)

*\*While JibONE is fully extended*

**C** Counterweight

**S** Setups

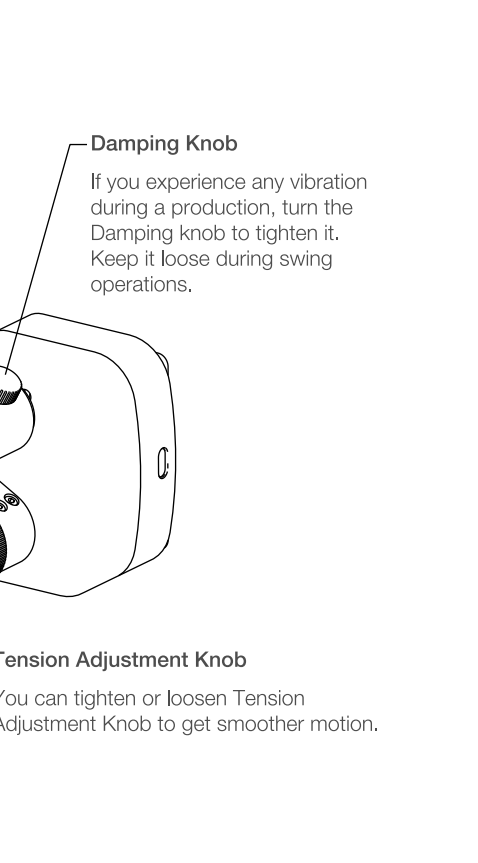
1 pc. Camera + FlexTILT Head or any tripod head (1.5-2.4 kg)

2 pc. Camera + HeadONE + FlexTILT Head or any tripod head (2.2-3.4 kg)

3 pc. Camera + 2 HeadONEs + Tilt Kit v2 (2.6-4.2 kg)

4 pc. Camera + HeadPLUS Full Setup (2.9-5 kg)

## 11. TENSION ADJUSTMENT



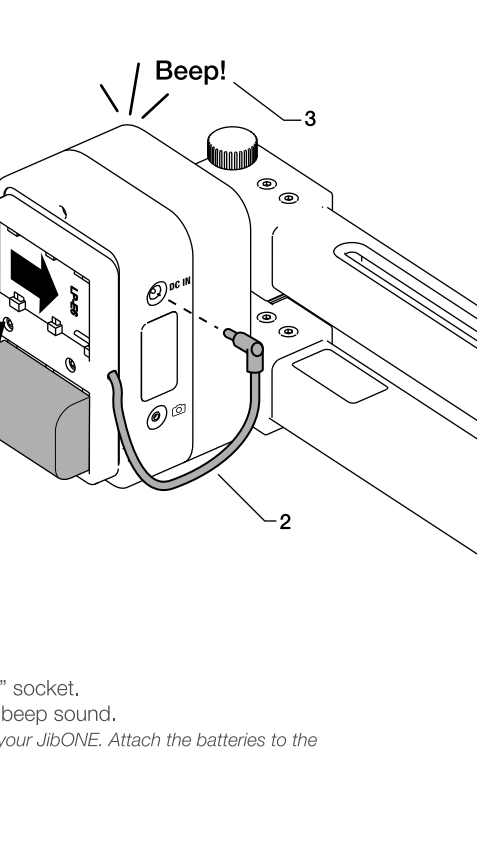
**Damping Knob**

If you experience any vibration during a production, turn the Damping knob to tighten it. Keep it loose during swing operations.

**Tension Adjustment Knob**

You can tighten or loosen Tension Adjustment Knob to get smoother motion.

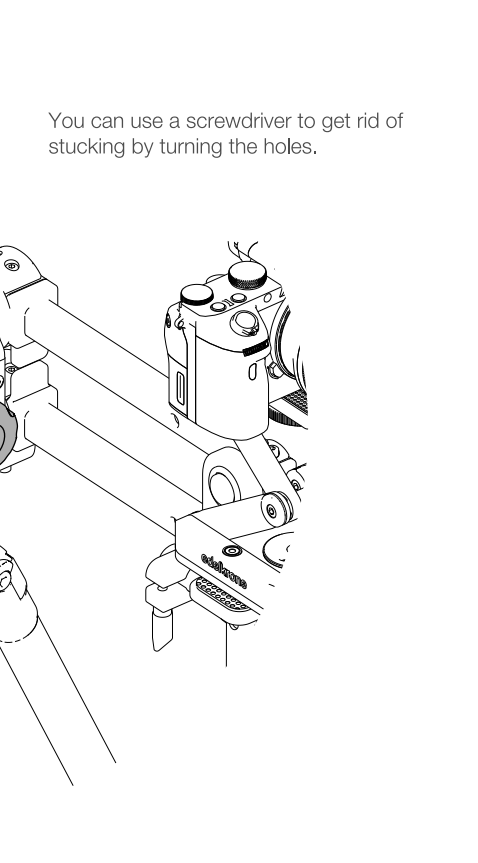
## 12. TURNING ON JIBONE



1. Attach the batteries.
2. Plug the cable into "DC IN" socket.
3. JibONE will turn on with a beep sound.

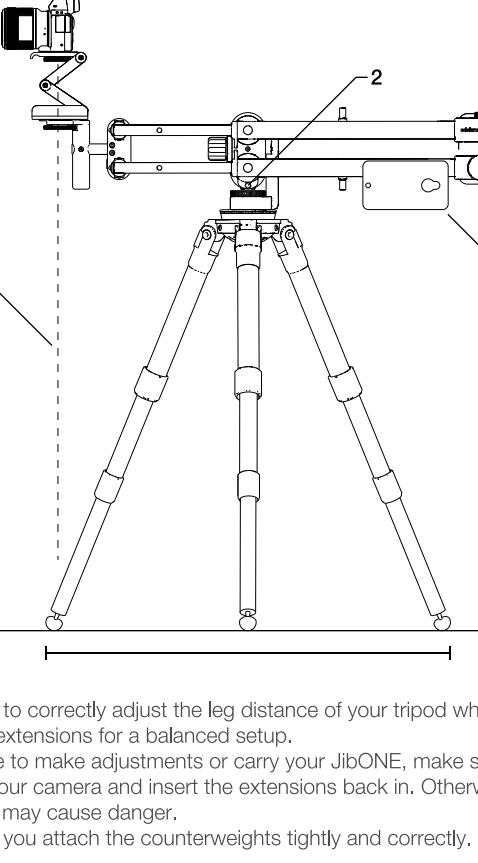
*! There are no on/off buttons on your JibONE. Attach the batteries to the JibONE to switch it on.*

## 13. IN CASE THE KNOBS STUCK



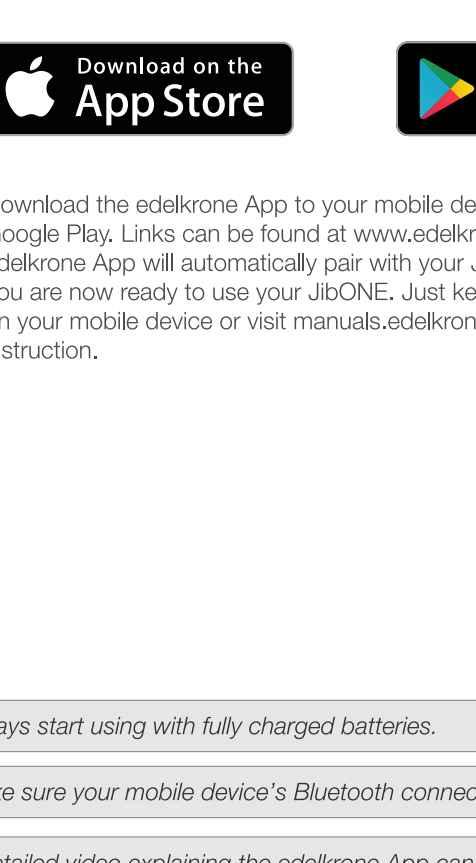
You can use a screwdriver to get rid of sticking by turning the holes.

## 14. WARNINGS



1. Make sure to correctly adjust the leg distance of your tripod while operating or adjusting the JibONE extensions for a balanced setup.
2. If you'd like to make adjustments or carry your JibONE, make sure the Safety Lock is on, remove your camera and insert the extensions back in. Otherwise, the device will be unstable and may cause danger.
3. Make sure you attach the counterweights tightly and correctly.

## 15. START USING



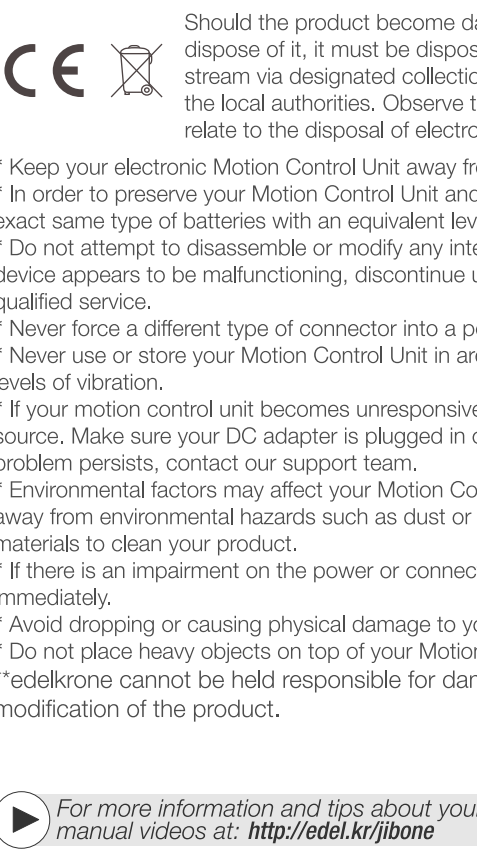
1. Download the edelkrone App to your mobile device from the App Store or Google Play. Links can be found at [www.edelkrone.com/products/jibone](http://www.edelkrone.com/products/jibone)
2. edelkrone App will automatically pair with your JibONE via Bluetooth.
3. You are now ready to use your JibONE. Just keep following the instructions on your mobile device or visit [manuals.edelkrone.com](http://manuals.edelkrone.com) for a detailed video instruction.

**Always start using with fully charged batteries.**

**Make sure your mobile device's Bluetooth connection is on.**

**A detailed video explaining the edelkrone App can be found at: <http://edel.kr/jibone>**

## DISPOSAL OF THE PRODUCT & WARNINGS



Should the product become damaged beyond repair, or if you wish to dispose of it, it must be disposed separately from the municipal waste stream via designated collection facilities appointed by the government or the local authorities. Observe the regulations of your area and country that relate to the disposal of electronic products.

\* Keep your electronic Motion Control Unit away from all sorts of liquids.

\* In order to preserve your Motion Control Unit and battery performance at their best, use the exact same type of batteries with an equivalent level of charge during dual-battery operation.

\* Do not attempt to disassemble or modify any internal parts of your Motion Control Unit. If the device appears to be malfunctioning, discontinue use immediately and contact support for qualified service.

\* Never force a different type of connector into a port.

\* Never use or store your Motion Control Unit in areas subject to extreme temperatures, or high levels of vibration.

\* If your motion control unit becomes unresponsive, disconnect and re-connect the power source. Make sure your DC adapter is plugged in or your batteries are properly charged. If the problem persists, contact our support team.

\* Environmental factors may affect your Motion Control Unit's performance. Keep your product away from environmental hazards such as dust or heavy resonance. Do not use chemical materials to clean your product.

\* If there is an impairment on the power or connector cable, stop using the Motion Control Unit immediately.

\* Avoid dropping or causing physical damage to your Motion Control Unit.

\* Do not place heavy objects on top of your Motion Control Unit.

\*\*edelkrone cannot be held responsible for damage caused by improper use or modification of the product.

For more information and tips about your JibONE, please watch the user's manual videos at: <http://edel.kr/jibone>

# JIBONE

## USER'S MANUAL

Before operating your edelkrone, please watch the user's manual video.

<http://edel.kr/jibone>

